

Operating manual

CEIA 101

Double differential temperature control

Version 1043-22
Art. 0450021015 GB

Contents

Scope of delivery	3
General	3
Intended use	3
Safety	3
General key functions	4
Version display (when starting).....	4
Basic display	5
Manual mode	6
Sensor resistance values	7
Menu level	8
Parameter description	11
Installation	19
Connection diagram	20
Fault clearance	21
Declaration of conformity	22
Technical data	23
Liability	23
Disposal	23

© Elektronikbau- und Vertriebs GmbH
Heisterner Weg 8 - 12
D-57299 Burbach

This document may not be reproduced nor disclosed to third parties, particularly competitors, in original or copy form without our prior explicit consent. The document is subject to our proprietary rights and copyrights.

Scope of delivery

1. 1x Central unit CETA 101
2. 1x Tank immersion sensor KVT 20/2/6
3. 2x Collector sensor PT1000/6
4. 8x Screw, plate 2,9x19 mm
5. 3x Screw assembly 4x35 mm
6. 3x Plug U6
7. 2 x Cable clamp

General

Systems with 2 heat sources and hot water tanks are controlled via the differential temperature control. When the heat source temperature exceeds the tank temperature by the value set on the controller, the circulation pump is activated by the control and the heat absorbed in the heat source is transported to the hot water tank.

Intended use

The unit is manufactured in accordance with state of the art technology and approved safety regulations. Nevertheless, using the unit can cause danger to the user or third persons, or damage to the unit and other assets. The unit must be used exclusively as differential temperature controller.

Safety

All electrical connections, safety measures and protections have to be carried out by an authorised professional electrician according to the valid standards and VDE-guidelines, as well as the local regulations. The electrical connection must be a fixed connection according to VDE 0100.

Hazard symbols in this operating manual

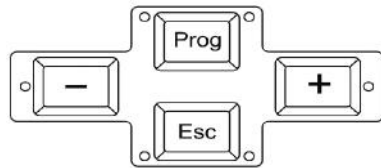


Hazard!

This symbol indicates information that warns of possible safety risks or severe and fatal injuries!

General key functions

1. General key functions



Prog

- Change selected submenus
- Change (parameter) setting
- Save value

+ (Plus) or - (Minus)

- Change parameter
- Change menu item

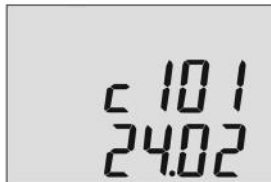
Esc

- Exit setting
- Keep old value
- Select next higher menu level

Esc-Lang

- Return to basic display

2. Version display (when starting)



c 101=

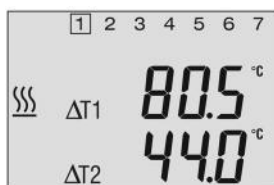
Type designation Ceta 101

24.02=

Version display (due to update it can differ from example shown)

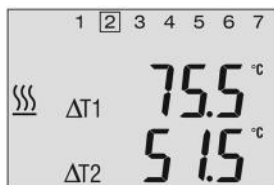
Basic display

3. Basic display



- 1= Basic display 1
- 80.5°C= Temperature F3 heat supplier 1 (e.g. collector or solid fuel boiler)
- 44.0°C= Temperature F1 heat storage tank 1
- ΔT1= Display pump function P1
- ΔT2= Display pump function P2
- H-GEN= Display burner block

Use + / - to switch to:



- 2= Basic display 2
- 75.5°C= Temperature F4 heat supplier 2 (e.g. collector or solid fuel boiler)
- 51.5°C= Temperature F2 heat storage tank 2 (if sensor F2 is available)
- ΔT1= Display pump function P1
- ΔT2= Display pump function P2
- H-GEN= Display burner block

3b. Manual switch – on pump

Manual mode



 +  Manual mode
0... 1 Pump function

- Activated when keep pressed
- Switch – on / switch – off pump
- Escape from manual mode



Function: Manual mode pump activation for inspection purposes

0 = Pump off.

1 = Pump on.



Attention!

This function must be used only by the technician. When the manual mode is on, the safety settings of the CETA 101 are deactivated! In case of faulty usage, may cause damage to the installation (e.g stagnation)

Sensor resistance values

4. Sensor resistance values

Depending on temperature:

PT1000

T (°C)	R (kOhm)
40	1.155
50	1.194
60	1.232
70	1.271
80	1.309
90	1.347
100	1.385
110	1.423
120	1.461
130	1.498
140	1.536
150	1.573
160	1.611
170	1.648
180	1.685
190	1.722
200	1.758
210	1.795
220	1.832
230	1.868
240	1.905
250	1.941

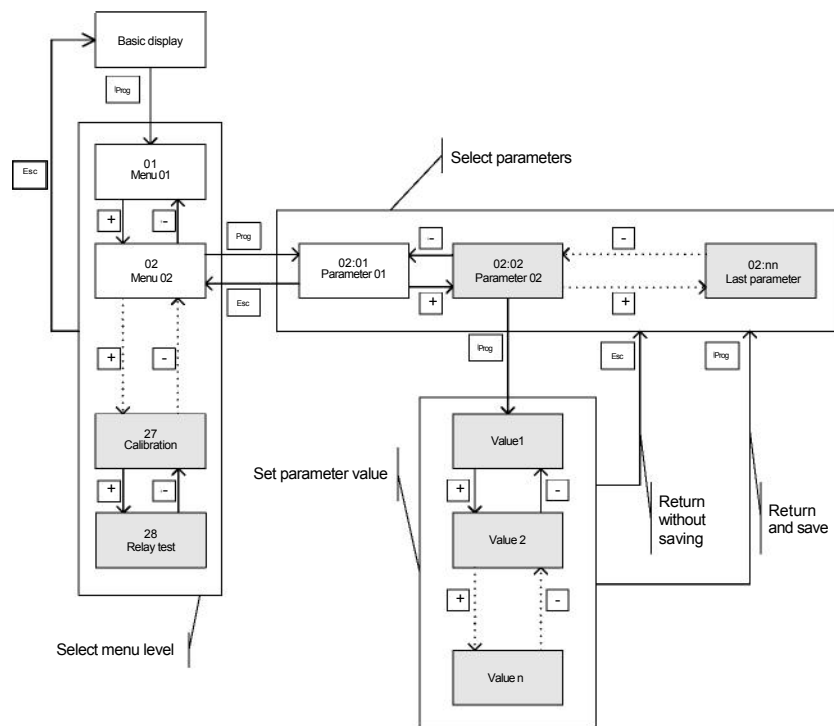
KVT 20

T (°C)	R (kOhm)
10	1.783
12	1.812
14	1.840
16	1.869
18	1.898
20	1.928
25	2.002
30	2.078
35	2.155
40	2.234
45	2.314
50	2.395
55	2.478
60	2.563
65	2.648
70	2.735
75	2.824
80	2.914
85	3.005
90	3.098
95	3.192
100	3.287

Menu level

5. Menu level

General menu structure Ceta series

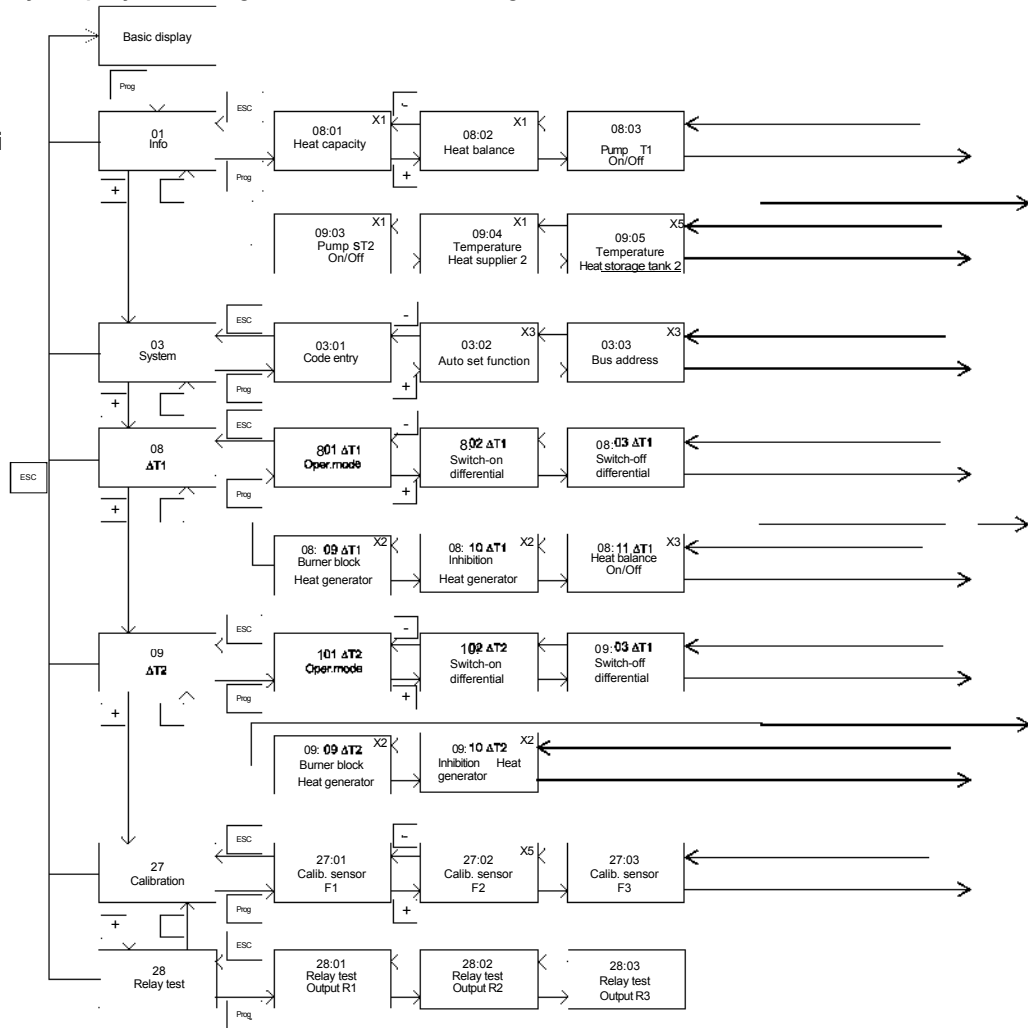


Menu level

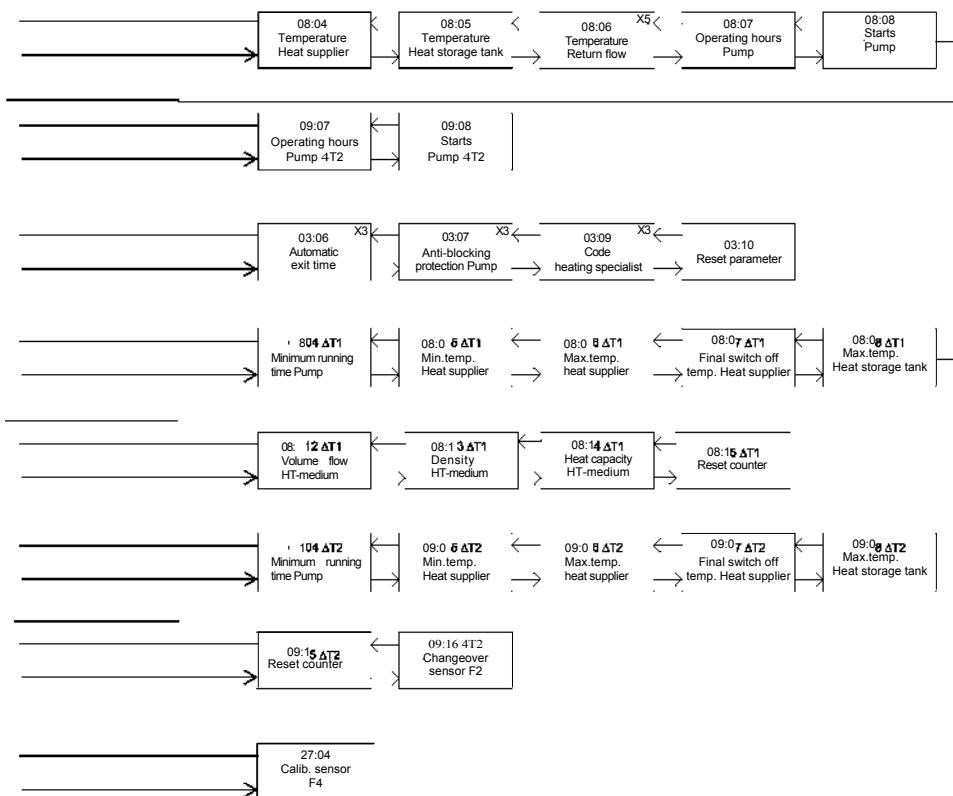
Overview of menu level

X1: Only displayed during active heat balancing

X2: F
unction
only in
bus
connecti
on



Menu level



X3: Are hidden when activating code 03:09

X5: Option

Parameter description

6. Parameter description

01 Information level

Display	Designation	Description
08:01	Heat capacity „T1	Current heat capacity in W X1
08:02	Heat balance „T1	Display of cumulative heat energy in kWh X1
08:03	Display pump function „T1	0: Pump is switched off 1: Pump is switched on
08:04	Temperature heat supplier „T1	Sensor temperature of heat supplier (e.g. collector, solid fuel boiler) at input F3
08:05	Temperature heat storage tank „T1	Sensor temperature of heat storage tank at input F1
08:06	Temperature return „T1	Sensor temperature of return at input F2, if available. X5
08:07	Pump operating hours „T1	Number of pump operating hours
08:08	Pump starts „T1	Number of pump starts
09:03	Display pump function „T2	0: Pump is switched off 1: Pump is switched on
09:04	Temperature heat supplier „T2	Sensor temperature of heat supplier (e.g. collector, solid fuel boiler) at input F4
09:05	Temperature heat storage tank „T2	Sensor temperature of heat storage tank at input F1 (or F2, if available) X5
09:07	Pump operating hours „T2	Number of pump operating hours
09:08	Pump starts „T2	Number of pump starts

03 Parameter system

Display	Designation	Description
03:01	Code entry	Setting range: 0 ... 999 Factory setting: 0 Function: Show parameters marked with X3.

Parameter description

Display	Designation	Description
03:03	Bus address	Setting range: 21..25 X3 Factory setting: 21 Function: If more than one CETA 100 or 101 has to be connected via data bus within a system, each unit must be set to a unique address.
03:06	Automatic exit time	Setting range: 0.5 ... 10 min X3 Factory setting: 0.5 min Function: When unit is not operated during the set time, the display returns to basic display.
03:07	Anti-blocking protection	Setting range: 0 = OFF X3 1 = ON Factory setting: OFF Function: Pump is switched on 20 s daily during extended shutdown (> 24h) as protection against blocking when function is activated.
03:09	Code heating specialist	Setting range: 0 ... 999 Factory setting: 0 Function: Hide parameters marked with X3.
03:10	Total reset	Reset to factory settings

08 Parameter DeltaT1

Display	Designation	Description
08:01	Control mode ΔT1	Setting range: 0 = Delta T OFF 1 = Delta-T without return flow sensor 2 = Delta-T with return flow sensor 3= Thermostat function Factory setting: 1
08:02	Switch-on differential ΔT1	Function: The setting determines whether heat balancing is to be performed by a return flow sensor (additional parameters) Setting range: (Switch-off differential + 3K) ... 30K Factory setting: 10K Function: If temperate difference between sensors of heat supplier F3 and heat storage tank F1 is larger than set value, the pump switches on.

Parameter description

Display	Designation	Description
08:03	Switch-off differential ΔT_1	<p>Setting range: 2K ... (Switch-on differential - 3K)</p> <p>Factory setting: 5K</p> <p>Function:</p> <p>If temperature difference between sensors of heat supplier F3 and heat storage tank F1 is smaller than set value, the pump switches off.</p>
08:04	Minimum pump running time ΔT_1	<p>Setting range: OFF (----) 0.5 ... 60 min</p> <p>Factory setting: 3 min</p> <p>Function:</p> <p>Minimum switch-on time of pump per start.</p>
08:05	Minimum temperature heat supplier ΔT_1	<p>Setting range: OFF (----) 5 ... 80°C</p> <p>Factory setting: OFF</p> <p>Function:</p> <p>Irrespective of switching differentials, the pump switches on only after the sensor of heat supplier F3 has exceeded the set value.</p>
08:06	Maximum temperature heat supplier ΔT_1	<p>Setting range: OFF (----), 30 ... 110°C</p> <p>Factory setting: 90°C</p> <p>Function:</p> <p>Irrespective of switching differentials, the pump performs a forced switch on after the sensor of heat supplier F3 has exceeded the set value.</p>
08:07	Final switch-off temperature heat supplier ΔT_1	<p>Setting range: OFF (----), 70 ... 210°C</p> <p>Factory setting: OFF</p> <p>Function:</p> <p>Irrespective of switching differentials, the pump performs a forced switch off after the sensor of heat supplier F3 has exceeded the set value.</p>
08:08	Maximum temperature heat storage tank ΔT_1	<p>Setting range: OFF (----), 50 ... 110°C</p> <p>Factory setting: 75°C</p> <p>Function:</p> <p>Irrespective of switching differentials, the pump performs a forced switch off after the sensor of heat storage tank F1 has exceeded the set value. This switch-off takes priority over functions 08:07 and 08:06.</p>

Parameter description

Display	Designation	Description
08:09	Burner block heat generator „T1	Setting range: 0 ... 2 X2 Factory setting: 1 Function: 0 = OFF 1 = Burner block when pump is active 2 = Burner block only for DHW when pump is active
08:10	Inhibition heat generator „T1	Setting range: OFF (---) ... 24h X2 Function: After burner block is active, the heat generator is also blocked for the duration of the set time.
08:11	Activation heat balance „T1	Setting range: OFF (---) X3, X5 1 = Heat balancing via return sensor on F2 (option) Factory setting: OFF Function: The settings of parameters 08:12 to 08:14 are only active if the heat balance function has been switched on via this parameter.
08:12	Volume flow HT- medium „T1	Setting range: 0.0 ... 30 l/min Factory setting: 0.0 l/min Function: Here the volume flow is set in litre/minute when calculating flow rate, according to respective pump capacity.
08:13	Density HT-medium „T1	Setting range: 0.8 ... 1.2 kg/l Factory setting: 1.05 kg/l Function: Using this parameter, the density of the heat transfer medium is entered in kilogramme per litre, according to manufacturer's data.
08:14	Heat capacity HT- medium „T1	Setting range: 2.0 ... 5.0 kJ/kgK Factory setting: 3.6 kJ/kgK Function: This setting value is used to enter the specific heat capacity of the heat transfer medium according to manufacturer's information.
08:15	Reset counter „T1	Setting range: 0 = no reset, 1 = reset counter Factory setting: 0 Function: When value is changed to 1 and confirmed, all counters (heat balance, operating hours and starts) are reset.

Parameter description

Display	Designation	Description
08:18	Back Cooling Differential	Setting range: OFF (---), 5 ... 50K Factory setting: OFF Function: If temperature F1 is over the 08:08 value and temperature F3 is under 40°C, then the pump starts working, until F1 difference (08:18) drops under 08:08 value.
08:19	Burner Block temperature	Setting range: OFF (---), 5 ... 80°C Factory setting: OFF Function: Additionally or alternatively to 08:09, is possible to regulate an F1 temperature, that is going to block burner (via data bus). If the 08:19 value drops under 5K, the burner is being activated again.
08:20	Thermostat Switch – On temperature	Setting range: 5°C... (switch – off temperature – 3K) Factory setting: 30°C Function: If F3 temperature drops under the setting 08:20, then the pump is being activated.
08:21	Thermostat Switch - Off temperature	Setting range: (Switch – On temperature +3K)... 120°C Factory setting: 90°C Function: If F3 temperature rises over the setting 08:20, then the pump is being deactivated.
08:22	Inverse thermostat	Setting range: 0, 1 Factory setting: 0 Function: Inverts the pump function. 0 = normally close, 1 = normally open
08:23	Frost-protection Solar collector temperature	Setting range: Off, -15°C... 10°C Factory setting: Off Function: Solar pump switches on when the temperature from the solar collector drops below the 08:23 value. The pump switches off when solar temperature rises over the 08:23 value + 2,5K.

Parameter description

09 Parameter DeltaT2

Display	Designation	Description
09:01	Control mode $\Delta T2$	Setting range: 0 = Delta T2 OFF 1 = Delta-T2 without return flow sensor 2 = Delta-T2 with return flow sensor 3 = Thermostat function Factory setting: 1
09:02	Switch-on differential $\Delta T2$	Setting range: (Switch-off differential + 3K) ... 30K Factory setting: 10K Function: If temperate difference between sensors of heat supplier F4 and heat storage tank F2 is larger than set value, the pump switches on .
09:03	Switch-off differential $\Delta T2$	Setting range: 2K ... (Switch-on differential - 3K) Factory setting: 5K Function: If temperate difference between sensors of heat supplier F4 and heat storage tank F2 is smaller than set value, the pump switches off .
09:04	Minimum running time pump $\Delta T2$	Setting range: OFF (----) 0.5 ... 60 min Factory setting: 3 min Function: Minimum switch-on time of pump per start.
09:05	Minimum temperature heat supplier $\Delta T2$	Setting range: OFF (----) 5 ... 80°C Factory setting: OFF Function: Irrespective of switching differentials, the pump switches on only after the sensor of heat supplier F4 has exceeded the set value.
09:06	Maximum temperature heat supplier $\Delta T2$	Setting range: OFF (----), 30 ... 110°C Factory setting: 90°C Function: Irrespective of switching differentials, the pump performs a forced switch on after the sensor of heat supplier F4 has exceeded the set value.
09:07	Final switch-off temperature heat supplier $\Delta T2$	Setting range: OFF (----), 70 ... 210°C Factory setting: OFF Function: Irrespective of switching differentials, the pump performs a forced switch off after the sensor of heat supplier F4 has exceeded the set value.

Parameter description

Display	Designation	Description
09:08	Maximum temperature heat storage tank ΔT_2	<p>Setting range: OFF (----), 50 ... 110°C</p> <p>Factory setting: 75°C</p> <p>Function: Irrespective of switching differentials, the pump performs a forced switch off after the sensor of heat storage tank F1 (optionally F2, if available) has exceeded the set value. This switch-off takes priority over functions 08:07 and 08:06.</p>
09:09	Burner block heat generator ΔT_2	<p>Setting range: 0 ... 2 X2</p> <p>Factory setting: 1</p> <p>Function: 0 = OFF 1 = Burner block when pump is active 2 = Burner block only for DHW when pump is active</p>
09:10	Inhibition heat generator ΔT_2	<p>Setting range: OFF (----) ... 24h X2</p> <p>Factory setting: OFF</p> <p>Function: After burner block is active, the heat generator is also blocked for the duration of the set time.</p>
09:15	Reset counter ΔT_2	<p>Setting range: 0 = no reset, 1 = reset counter</p> <p>Factory setting: 0</p> <p>Function: When value is changed to 1 and confirmed, all counters (Delta T2 pump, operating hours and starts) are reset.</p>
09:16	Changeover sensor F2	<p>Setting range: 1, 2 X5</p> <p>Factory setting: 1</p> <p>Function: 1 = Sensor F2 (option) is return flow sensor and both Delta-T controls adjust to sensor heat storage tank 1 (F1) 2 = Sensor F2 (option) is sensor heat storage tank 2</p>

Parameter description

Display	Designation	Description
09:19	Burner Block temperature	Setting range: OFF (----), 5 ... 80°C Factory setting: OFF Function: Additionally or alternatively to 09:09, is possible to regulate an F1 temperature, that is going to block burner (via data bus). If the 09:19 value drops under 5K, the burner is being activated again.
09:20	Thermostat Switch – On temperature	Setting range: 5°C... (switch – off temperature – 3K) Factory setting: 30°C Function: If F3 temperature drops under the setting 09:20, then the pump is being activated.
09:21	Thermostat Switch - Off temperature	Setting range: (Switch – On temperature +3K)... 120°C Factory setting: 90°C Function: If F3 temperature rises over the setting 09:20, then the pump is being deactivated.
09:22	Inverse thermostat	Setting range: 0, 1 Factory setting: 0 Function: Inverts the pump function. 0 = normally close, 1 = normally open
09:23	Frost-protection Solar collector temperature	Setting range: Off, -15°C... 10°C Factory setting: Off Function: Solar pump switches on when the temperature from the solar collector drops below the 09:23 value. The pump switches off when solar temperature rises over the 09:23 value + 2,5K.

27 Sensor calibration

Display	Designation	Description
27:01	Calibration F1	Setting range: -5K ... +5K Factory setting: 0K Function: Correction of measured sensor value on Input heat storage tank F1
27:02	Calibration F2	See 27:01 on input return heat storage tank F2 (option)
27:03	Calibration F3	See 27:01 on input heat supplier F3
27:04	Calibration F4	See 27:01 on input heat supplier F4

Mounting

28 Relay test

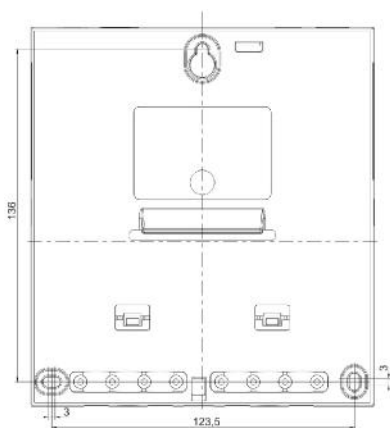
Display	Designation	Description
28:01	Test pump output Delta T1	Setting range: 0 = OFF 1 = ON Factory setting: 0 Function: By changing the value, the output switches on and off (test function), independent of function.
28:02	Test pump output Delta T2	see 28:01
28:03	Test output burner block	see 28:01

7. Mounting



Hazard!

**Mounting must be performed by an authorised professional electrician!
Ensure that unit is de-energised before opening it!**



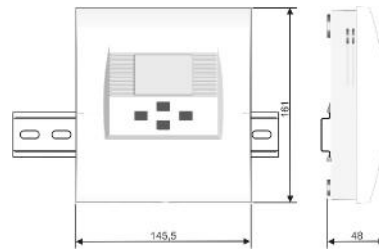
Drilling pattern for wall fastening

1. Remove terminal area cover from casing.
2. For mounting, first put a screw into the wall.
3. Hang controller into the opening.
4. Use controller as template for the other screw holes.

Connection diagram

Rail mount

1. Insert mounting feet into rail mount opening.
2. Lock hook in place by pushing down.

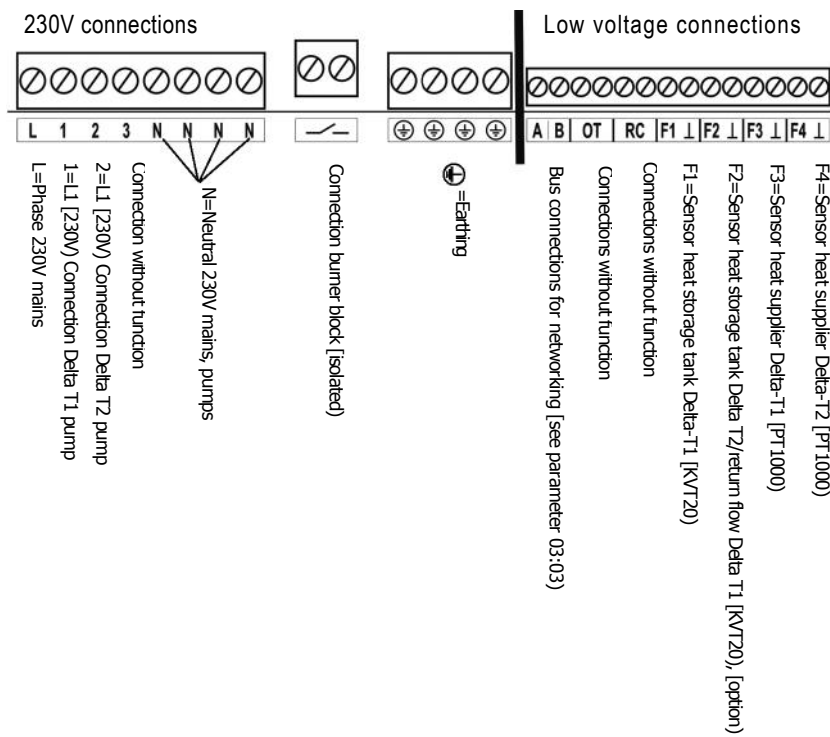


8. Connection diagram



Hazard!

Connection must be performed by an authorised professional electrician! Ensure that unit is de-energised before opening it!

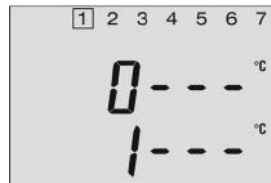


Fault clearance

9. Fault clearance

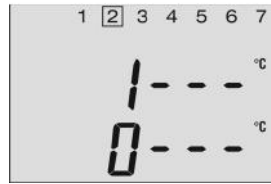
To allow an accurate diagnosis in case of malfunction, the unit is equipped with a fault display system. The faults are shown on the basic display of the unit in form of an error code:

- 1 = Display 1
 0---°C = Sensor F3 Heat supplier 1 (z.B. collector1, solid fuel boiler1) is interrupted
 1---°C = Sensor F1 heat storage tank 1 has short circuit



Use + / - to switch to:

- 2 = Display 2
 1---°C = Sensor F4 Heat supplier 2 (z.B. collector2, solid fuel boiler2) has short circuit
 0---°C = Sensor F2 (option) heat storage tank 2 is interrupted



Fault overview:

Fault code	Cause	Repair
0---	Tank sensor interruption	Check cable and plug connection; repair if necessary
1---	Short circuit on tank sensor	Replace tank sensor
Fault Display text not visible	Cause No power, defective fuse in unit	Repair Check cable and plug connection; repair if necessary; replace fuse

Declaration of conformity

10. Declaration of conformity



Elektronikbau- und Vertriebs- GmbH
Heisternerweg 8-12, 57299 Burbach

EC Declaration of Conformity

Product identification: Heating controller



Type designation: CETA 101

Manufacturer: EbV Elektronikbau- und Vertriebs-GmbH
Heisternerweg 8-12
57299 Burbach

The product described is in full compliance with the following European directives:

89/336/EEC „Council directive on the approximation of the laws of the member states relating to Electromagnetic Compatibility“

73/23/EEC „Council directive on the approximation of the laws of the member states relating to electrical equipment designed for use within certain voltage limits“ (low voltage directive)

Compliance of the designated product with the rules of the directive is proven by complete adherence to the following standards:

EMV: Requirements for household appliances, electric tools and similar devices
DIN EN 55014-1:2003 Part 1: Transient emission
DIN EN 55014-2:2002 Part 2: Immunity

EMV: Limit values
DIN EN 61000-3-2:2002 Part 3-2: Limit values for harmonic current emissions
DIN EN 61000-3-3:2002 Part 3-3: Limitation of voltage fluctuations and flicker

Automatic electrical controls for household use and similar applications
DIN EN 60730-1:2002 Part 1: General requirements
DIN EN 60730-2-9:2004 Part 2: Particular requirements for temperature sensing controls

We declare that the described product - as independent device - is in conformity with the standards, directives and/or technical specifications listed above.

EbV Elektronikbau- und
Vertriebs-GmbH

Burbach, 20.02.2009

Wolfgang Höse
Managing Director

Technical Data

11. Technical Data

Mains voltage:	230V +6% / -10%
Rated frequency:	50...60Hz
Power input:	max. 2.1VA
Fuse:	6.3A
Output relay contact load:	2 (2)A
Ambient temperature:	-10...+50°C
Storage temperature:	-25...+80°C
Degree of protection:	IP 30
Protection class according to EN 60730:	II
CE compliance:	89/336/EEC
Casing dimensions:	145.5 x 161 x 48 mm (W x H x D)
Casing material:	ABS V0
Weight:	420g
Mains connection technology:	Screw terminals 1.5 mm ²
Sensor connection technology:	Screw terminals 1.0 mm ²

12. Liability

Our general terms and conditions of business are generally applicable. Any liability claims based on failure to observe operating manual as well as safety instructions contained therein, are excluded. Subject to technical modifications.

13. Disposal

Dispose of all replaced parts, and eventually the controller itself, in an environmentally sound manner in compliance with applicable statutory regulations of the corresponding country.

Company stamp:

--